



REPLACING THE DRUM UNIT PLEASE READ

Attached are instructions on replacing your drum.

Please pay particular attention to step number 6.

By following this step it tells the machine you have put in a new drum. By doing this the machine stops calculating the remaining drum life on the drum you are about to replace.

This step will prevent you from ordering additional drums unnecessarily because the machine believes there is little if any drum life remaining.

If you have any questions please don't hesitate to call us at 866-851-2200.

3710 Park Central Blvd. North, Pompano Beach, FL 33064
Phone: 866-851-2200
Fax: 866-422-9254
www.qualpath.com

Replacing the drum unit (QPDR-86)

The machine uses a drum unit to create print images on paper. If the LCD shows *Drum Near End*, the drum unit is near the end of its life and it is time to buy a new one.

Even if the LCD shows *Drum Near End*, you may be able to continue printing without having to replace the drum unit for a while. However, if there is a noticeable deterioration in the output print quality (even before *Drum Near End* appears), then the drum unit should be replaced. You should clean the machine when you replace the drum unit. (See *Cleaning the laser scanner window* on page 122.)

! CAUTION

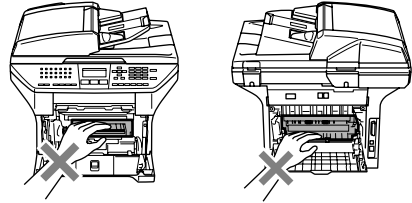
While removing the drum unit, handle it carefully because it may contain toner. If toner scatters on your hands or clothes, wipe or wash it off with cold water at once.

Note

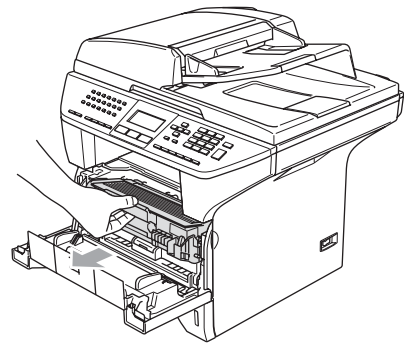
The drum unit is a consumable item, and it is necessary to replace it periodically. There are many factors that determine the actual drum life, such as temperature, humidity, type of paper and how much toner you use for the number of pages per print job. The estimated drum life is approximately 25,000 pages. The actual number of pages your drum will print may be significantly less than these estimates. Because we have no control over the many factors that determine the actual drum life, we cannot guarantee a minimum number of pages that will be printed by your drum.

HOT SURFACE

After you have just used the machine, some internal parts of the machine will be extremely hot. When you open the front or back cover of the machine, DO NOT touch the shaded parts shown in the illustration.

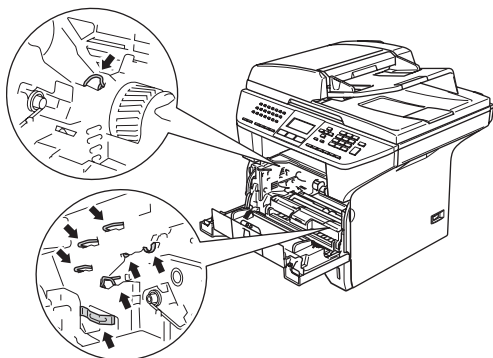


- 1 Open the front cover and take out the drum unit and toner cartridge assembly.

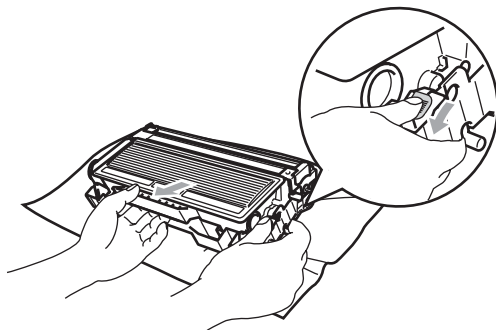


! CAUTION

To prevent damage to the printer from static electricity, **DO NOT** touch the electrodes shown in the illustration.



- 2 Hold down the lock lever on the right and take the toner cartridge out of the drum unit.



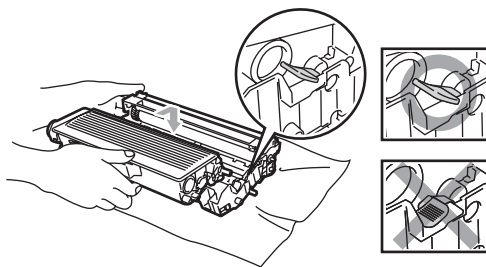
Note

Discard the used drum unit according to local regulations, keeping it separate from domestic waste. Be sure to seal up the drum unit tightly so that toner powder does not spill out of the unit. If you have questions, call your local waste disposal office.

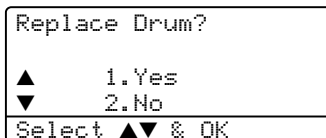
! CAUTION

Wait to unpack a new drum unit until immediately before installing it. Put the old drum unit into the plastic bag.

- 3 Unpack the new drum unit.
- 4 Put the toner cartridge firmly into the new drum unit until you hear it lock into place. If you put it in properly, the lock lever will lift automatically.



- 5 Put the drum unit and toner cartridge assembly back in the machine. Do not close the front cover.
- 6 Press **Clear/Back**.



To confirm you are installing a new drum, press 1.

- 7 When the LCD shows *Accepted*, close the front cover.

! CAUTION

If toner scatters on your hands or clothes, wipe or wash it off with cold water at once.