

## Replacing the drum unit

---

The MFC uses a drum unit to create print images on paper. If the LCD shows *Change Drum Soon*, the drum unit is near the end of its life and it is time to purchase a new one (QPDR82).

Even if the LCD shows *Change Drum Soon*, you may be able to continue printing without having to replace the drum unit for a while. However, if there is a noticeable deterioration in the output print quality (even before *Change Drum Soon* appears), then the drum unit should be replaced. You should clean the MFC when you replace the drum unit. (See *Cleaning the drum unit* on page 12-24.)

### ! Caution

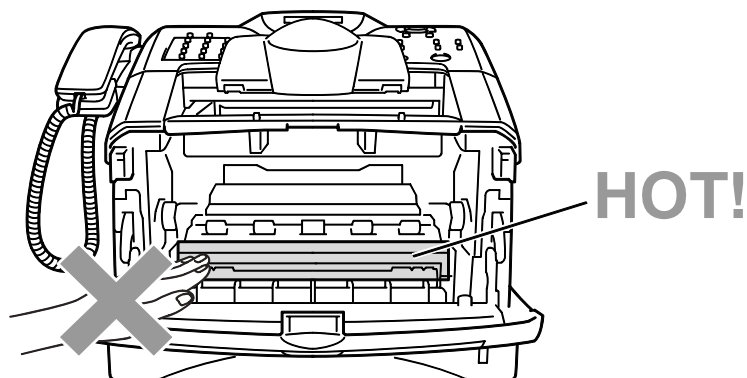
When removing the drum unit, handle it carefully because it contains toner. If toner scatters and your hands or clothes get dirty, immediately wipe or wash with cold water.



The drum unit is a consumable item, and it is necessary to replace it periodically. There are many factors that determine the actual drum life, such as temperature, humidity, type of paper and how much toner you use for the number of pages per print job. The estimated drum life is *up to 20,000* pages. The actual number of pages your drum will print may be significantly less than these estimates. Because we have no control over the many factors that determine the actual drum life, we cannot guarantee a minimum number of pages that will be printed by your drum.

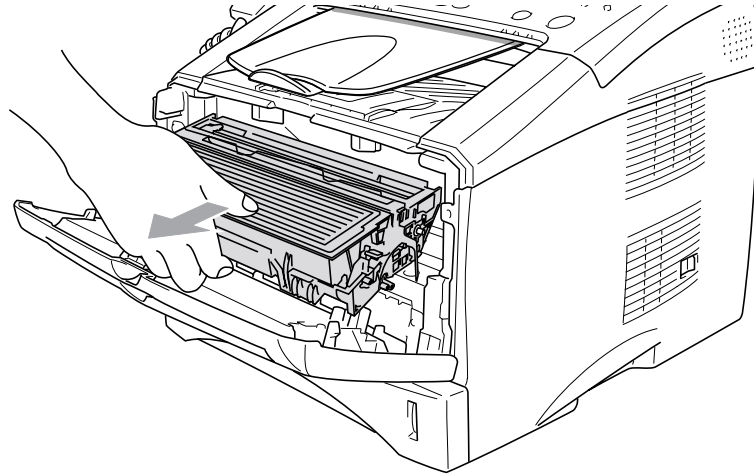
### ! WARNING

Just after you have used the MFC, some internal parts of the MFC are extremely **HOT!** So, never touch the shaded parts shown in the illustration.



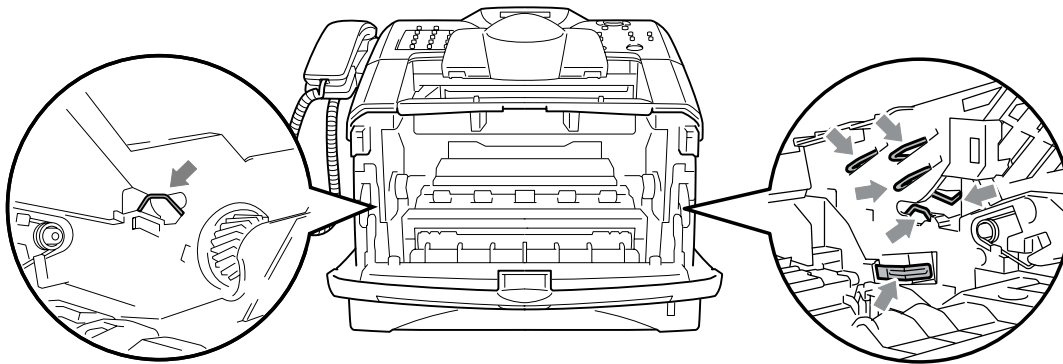
**Follow these steps to replace the drum unit:**

- 1** Press the cover release button and then open the front cover.
- 2** Remove the old drum unit and toner cartridge assembly. Place it on a drop cloth or disposable paper to avoid scattering toner.

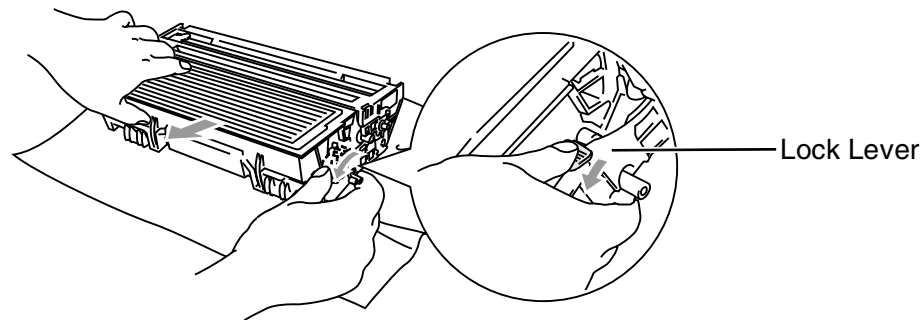


**! Caution**

To prevent damage to the printer from static electricity, do not touch the electrodes shown below.



- 3 Hold down the lock lever on the right and pull the toner cartridge out of the drum unit. (See *Replacing the toner cartridge* on page 12-25.)



- 4 Discard the used drum unit according to local regulations, keeping it separate from domestic waste. Be sure to seal the drum unit tightly so toner powder does not spill out of the unit. If you have questions, call your local waste disposal office.
- 5 Wait to unpack the new drum unit until immediately before installing it. Place the old drum unit into the plastic bag and discard it according to local regulations.
- 6 Reinstall the toner cartridge into the new drum unit. (See *Replacing the toner cartridge* on page 12-25.)
- 7 Reinstall the new drum unit, keeping the front cover *open*.
- 8 Press **Clear/Back**.
- 9 Press **1** and when the LCD shows `Accepted`, and close the front cover.

Replace Drum?  
1.Yes 2.No

**! Caution**

If toner scatters and your hands or clothes get dirty, immediately wipe it off or wash it with cold water.